

FLEXSTREAM™ GF GAS-FED PERMEATION MODULE

DESCRIPTION

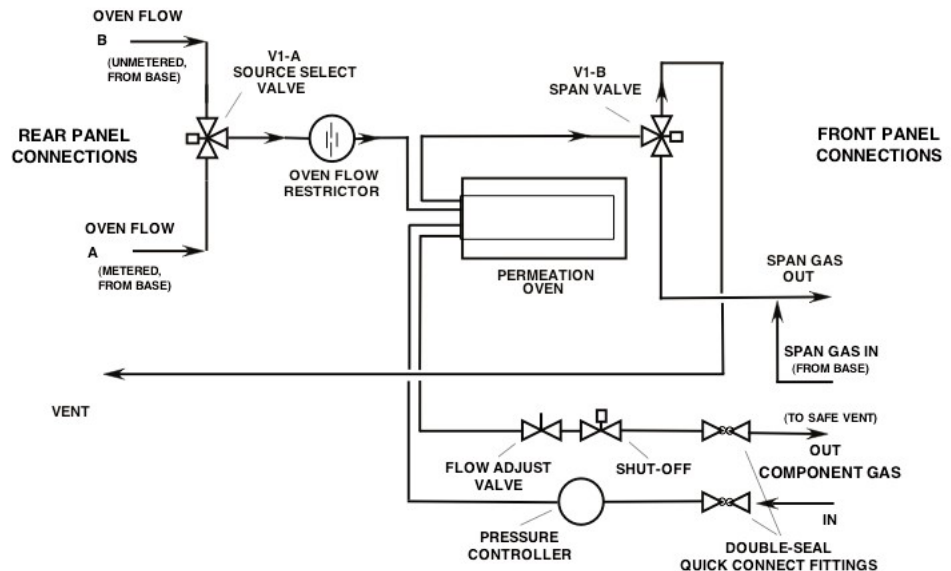
The **FlexStream™ GF** is a permeation module for use with KIN-TEK gas-fed permeation tubes where the analyte must be refreshed frequently. The **GF** module extends the permeation method to compounds like argon, methane, ethylene, carbon monoxide, etc. that have vapor pressures too high to be used in a standard liquid filled permeation tube. As with other **FlexStream™** system modules, the **FlexStream™ GF** is an independently controlled permeation module that works with, and is controlled by, the microprocessor in the **FlexStream™ Base Module**. The **GF Module** can also be used with conventional liquid filled tubes.



OPERATION

In operation the **FlexStream™ GF** is identical to the **FlexStream™ PM** except that, for gas-fed tubes, the analyte gas must be added by the user (usually from a cylinder of pure gas). Analyte gas is fed to the unit at about 75 psig through the front panel Component Gas In quick-connect fitting. The Component Gas Out is connected to a suitable safe vent. Adding analyte gas to the Series 57 Gas-Fed tube and creating trace concentration mixtures is controlled through the front panel touch screen in the **FlexStream™** base module. The **FlexStream™** micro-processor is used to set the oven temperature and controls dilution flow and analyte pressure in the tube to create specified mixtures.

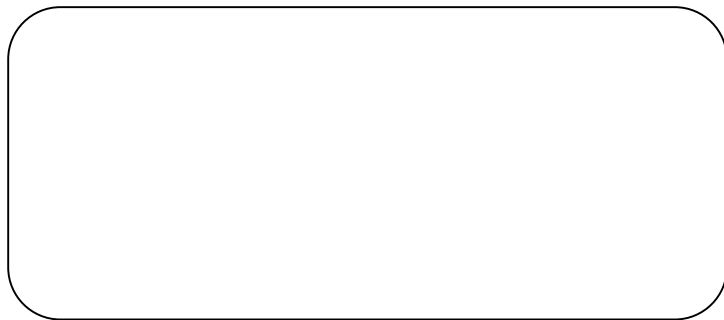
Flow Diagram



Features

- Flow path suitable for reactive gases-mixture contacts only Teflon® and stainless (or glass if disposable tubes are used)
- Accepts 1 gas-fed (57S or 57H) permeation tube.
- Alternately accepts up to 8 disposable tubes (max length 6")
- Analyte contacts only stainless steel
- High mass oven with electronic PID control
- Temperature Control range: 5°C above ambient from 30 to 150°C (heat only)
- Temperature Set-point Resolution: 0.01°C across the control range
- Power Requirements: Standard: 115VAC, 2A; Optional: 230VAC, 1A
- Dimensions: 7.5"width x 13.5"height x 20"depth; Weight approximately 25lbs

Represented by:



KIN-TEK 

The Calibration Specialists

1-800-326-3627

Ph: (409) 938-3627

Fax: (409) 938-3710

www.kin-tek.com

email: sales@kin-tek.com

REV2FSGF160524

©2016 KIN-TEK Analytical, Inc. All rights reserved.

Printed in USA